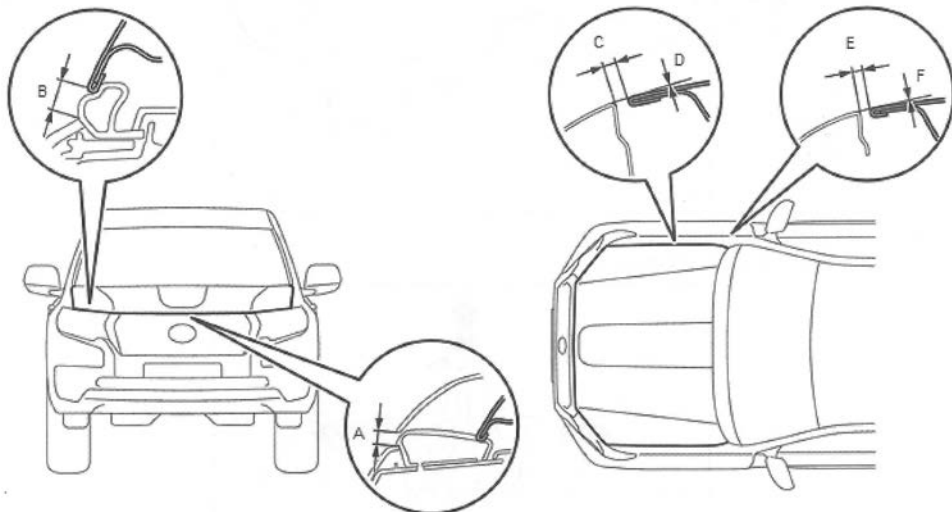


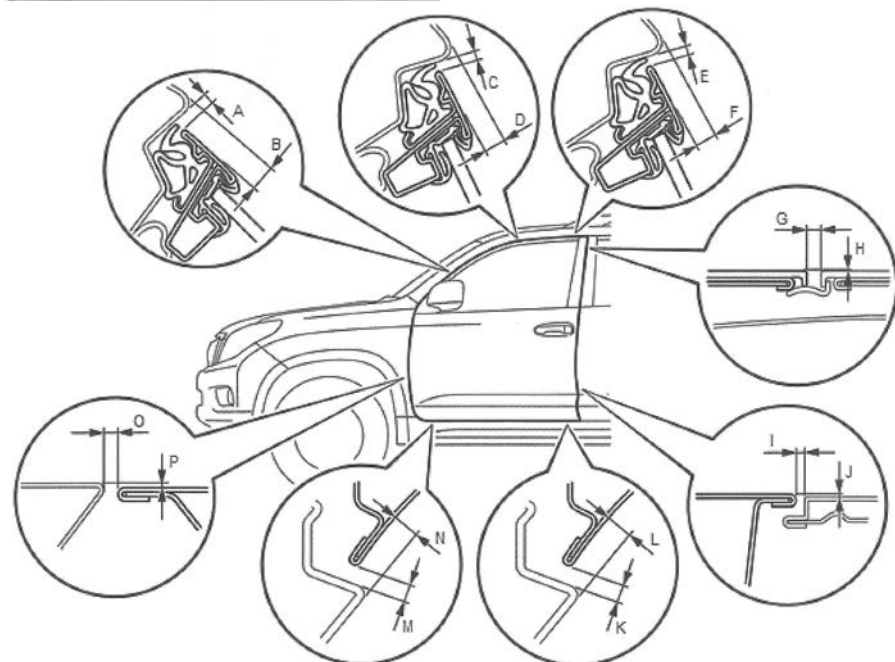
建て付け基準値

基準値

部位	寸法	部位	寸法
A	5.45 to 8.45 mm	B	6.55 to 9.55 mm
C	2.0 to 5.0 mm	D	-1.5 to 1.5 mm
E	2.0 to 5.0 mm	F	-1.5 to 1.5 mm

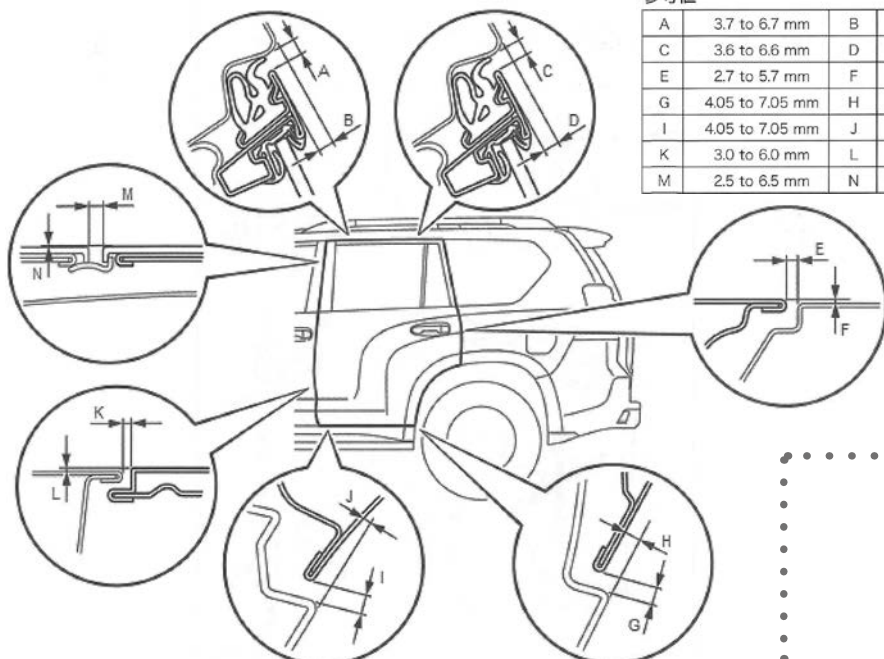


A	3.60 to 6.60 mm	B	6.50 to 9.50 mm
C	3.70 to 6.70 mm	D	3.70 to 6.70 mm
E	3.70 to 6.70 mm	F	4.60 to 7.60 mm
G	2.5 to 6.5 mm	H	-2.0 to 2.0 mm
I	3.0 to 6.0 mm	J	-1.5 to 1.5 mm
K	4.05 to 7.05 mm	L	4.6 to 7.6 mm
M	4.05 to 7.05 mm	N	4.6 to 7.6 mm
O	2.7 to 5.7 mm	P	-1.5 to 1.5 mm



参考値

A	3.7 to 6.7 mm	B	4.2 to 7.2 mm
C	3.6 to 6.6 mm	D	4.9 to 7.9 mm
E	2.7 to 5.7 mm	F	-1.5 to 1.5 mm
G	4.05 to 7.05 mm	H	4.45 to 7.45 mm
I	4.05 to 7.05 mm	J	4.45 to 7.45 mm
K	3.0 to 6.0 mm	L	-1.5 to 1.5 mm
M	2.5 to 6.5 mm	N	-2.0 to 2.0 mm



参考値

A	8.35 to 11.35 mm	B	5.05 to 8.05 mm
C	4.65 to 7.65 mm	D	4.95 to 7.95 mm
E	4.95 to 7.95 mm	F	8.85 to 11.85 mm
G	4.65 to 7.65 mm	H	4.95 to 7.95 mm
I	5.05 to 8.05 mm	-	-

